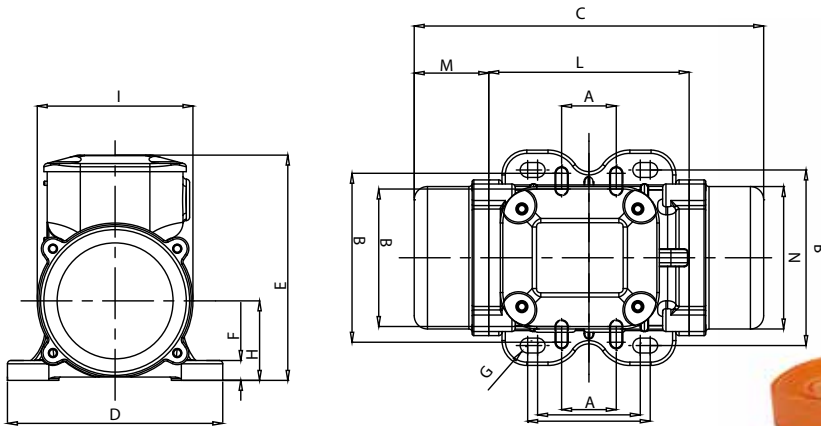




MVE-HF 290/6 - High Frequency electric vibrator



| Wm (kgcm) | Centrifugal Force (kg) | rpm | Weight (kg) | ELECTRICAL SPECIFICATIONS | | | | | | CERTIFICATE |
|-----------|------------------------|-------|-------------|---------------------------|-------------|----------------|----------------------------|---------|----------------------|-------------|
| | | | | Input Power (kW) | Voltage (V) | Frequency (Hz) | Nominal Current A max. (Y) | Ia / In | Cable Gland (Metric) | |
| 1.47 | 294 | 6,000 | 4.6 | 0.27 | 42 (Y) | 200 | 5 | 2.0 | M16X1.5 | |

| Size | DIMENSIONAL SPECIFICATIONS (mm) | | | | | | | | | | | | |
|------|---------------------------------|----|--------------------|--------|-----|----------|-----|-----|----|----|----|-----|----|
| | C | M | A | B | Ø G | Holes n° | D | E | F | H | I | L | N |
| 10 | 218 | 53 | Multiple Footprint | | | 4 | 130 | 136 | 12 | 48 | 94 | 121 | 85 |
| | | | 62-74 | 106 | 9 | | | | | | | | |
| | | | 33 | 83-102 | 7 | | | | | | | | |

MVE-HF 290/6

HIGH FREQUENCY ELECTRIC VIBRATOR

APPLICATION Precast mould

PROBLEM SOLVING Compaction of fresh concrete

FEATURES

DUTY CYCLE S1-continuous duty

ENVIRONMENT TEMP. From -20°C to 40°C (from -4°F to 104°F)

MAX NOISE LEVEL 76 dB(A)

MATERIAL Body aluminium;
aluminium (powder painted) cover

CLAMP - Optional

CLAMP

APPLICATION Beam-type formwork;
formwork girder

ADVANTAGES Quick fixing of the external vibrator;
easy to handle and to install

SAFETY CABLE Included

SUITABLE FOR

DOKA H20, Top50, FF20

PERI VT20K, GT24, VARIO GT24

MEVA H20

PASCAL H20

NOE H20

HÜNNBECK H20, R24, GF24, ES24



| CLAMP DIMENSIONAL SPECIFICATIONS (mm) | | | | | | | |
|---------------------------------------|-------|--------|--------|--------------------|---------|-----------|-----|
| Length | Width | Height | Weight | Multiple Footprint | | | |
| | | | | Electric | | Pneumatic | |
| 389 | 291 | 122 | 6 kg | 68x106 | 135x115 | 90x125 | 180 |